



SHIELD+

FIRE WRAP

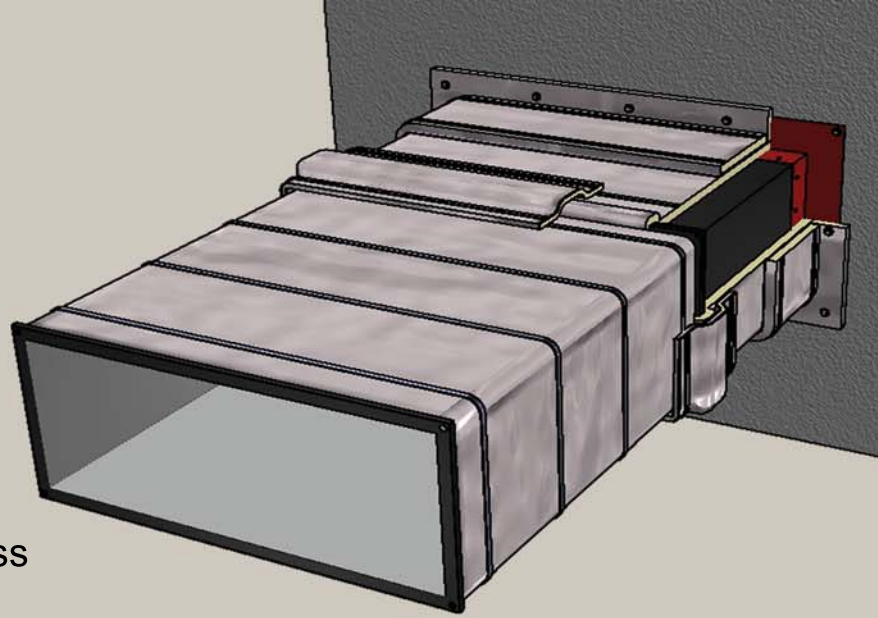
FIRE PROTECTION PRODUCT FOR BUILDING SYSTEMS

“ACHIEVE BETTER VALUE WHEN YOU ADOPT SHIELD+”

ALL RIGHTS RESERVED, PROTECTED BY PATENT NO. 10202403505W

SHIELD⁺ FRD FIRE DUCT WRAP

Moving from conventional concept, this design provides a solution to pre-fabrication of fire rated system. A step towards innovation and higher productivity.



- Thin profile design - 25mm thickness
- Single layer system design
- Excellent heat barrier
- High flexibility for installation
- Fire rating up to 4 hours
- Weatherproof application with proprietary jacketing
- Fast installation time & save manpower cost
- High durability & high maintainability



SHIELD⁺ FIRE DUCT WRAP

PRODUCTS ARE TESTED IN ACCORDANCE WITH

- BS476.24 • AS1530.4 • EN1366.1 •



ALL RIGHTS RESERVED, PROTECTED BY PATENT NO. 10202403505W

- ▲ KITCHEN EXHAUST DUCT APPLICATION
- ▲ SMOKE EXTRACTION DUCT APPLICATION
- ▲ VENTILATION DUCT APPLICATION

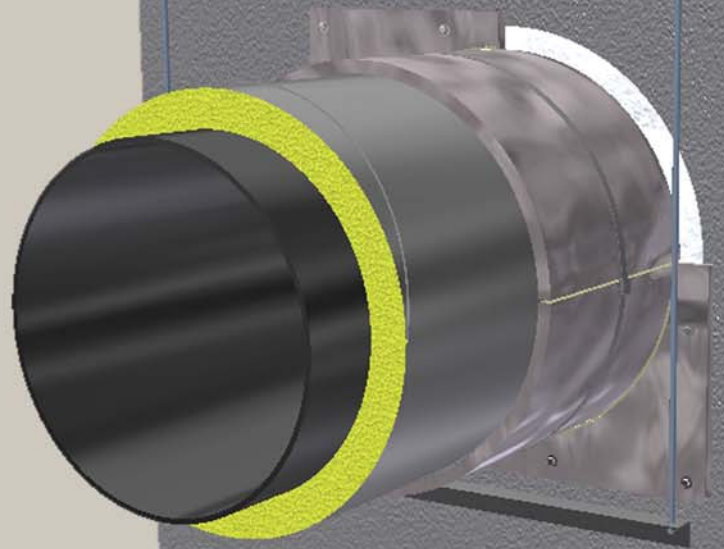


SHIELD+ FRP FIRE PIPE WRAP

Designed to eliminate complex installation steps without compromising system performance.

Ease of installation, simple, fast and productive.

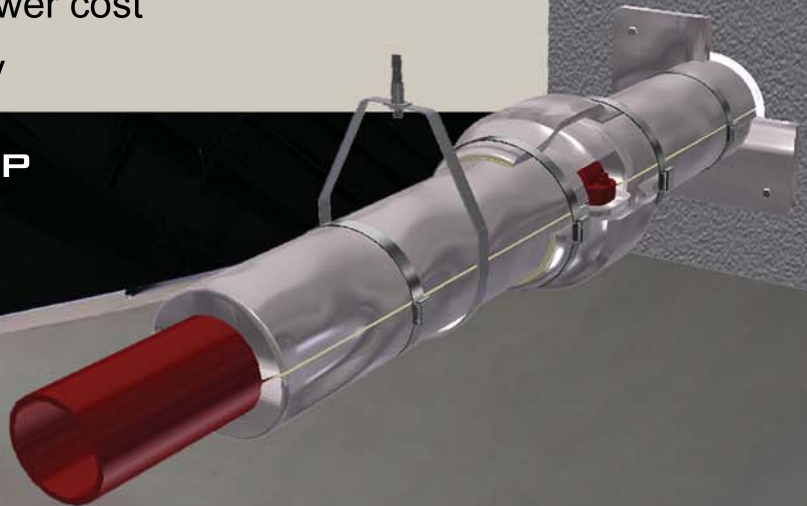
- Thin profile design - 25mm thickness
- Single layer system design
- Excellent heat barrier
- High flexibility for installation
- Fire rating up to 4 hours
- Weatherproof application with proprietary jacketing
- Fast installation time & save manpower cost
- High durability & high maintainability



SHIELD+ FIRE PIPE WRAP

PRODUCTS ARE TESTED
IN ACCORDANCE WITH

- BS476.20 • FSB/PSB/001 •



ALL RIGHTS RESERVED, PROTECTED
BY PATENT NO. 10202403505W

- ▲ BUILDING SERVICES APPLICATION
- ▲ PIPE PENETRATION APPLICATION
- ▲ WET & DRY RISER APPLICATION
- ▲ HYDRANT SYSTEM APPLICATION
- ▲ FIRE FIGHTING SYSTEM APPLICATION



SHIELD+ FIRE PIPE WRAP

INTRODUCTION

Product Description

SHIELD+ Fire Wrap is a flexible impact resistant & fire resistant wrap constructed using a combination of state of the art proprietary fire resistance clay and inorganic fiber. Both materials are encapsulated with a reinforced aluminium foil. The product is 25mm thick making it ideal for installation in congested space. This non-asbestos wrap is safe and environmental friendly.

Challenges Faced In The Industry

- Space clearance issue
- Congested M&E installation space
- Abortive works for M&E clashes
- Complex pipe & duct work
- High performance requirements
- Weatherproof application
- Productivity & cost
- Maintenance cost

SHIELD+ Solutions

- Thin profile design - 25mm thickness
- Compact single layer installation
- Hanging support enclosure is not required
- High flexibility for installation
- Fire rating up to 4 hours
- Weatherproof applicable
- Reduced installation time & cost
- High durability & high maintainability



SHIELD+ FIRE PIPE WRAP

ORDERING INFORMATION

Product	Roll Size (Width x Length)	Thickness	Packaging	Weight
SHIELD+ Fire Wrap Model FRD / FRP	 1100mm x 5000mm	25mm	1 Roll/ Bag 4 Bags/ Pallet	1 Roll 53kg
SHIELD+ Fire Wrap Model FRO	 1100mm x 5000mm	15mm	1 Roll/ Bag 6 Bags/ Pallet	1 Roll 10kg
SHIELD+ Weatherproof Jacketing Model IDEAL SEAL 168	 895mm x 45000mm	0.2mm	1 Roll/ Box	1 Roll 18kg

For more informations, please visit SHIELDPLUS.COM.SG
or contact us @
sales@shieldplus.com.sg
+65 6746 2151

Important Notice to User:

The technical information, recommendations and other statements contained in this document are based upon test or experience that Shield+ believes are reliable. Many factors beyond Shield+ control and uniquely can affect the use and performance of a Shield+ product in a particular application.

Shield+ warrants that product will be free from defects in material and manufacture for 1 year from the date of purchase.

Except where prohibited by law, Shield+ will not be liable for any loss or damage arising from the Shield+ product, whether direct, indirect, special, incidental or consequential, regardless of the legal theory asserted.

32E Tuas Ave 11, Platinum @ Pioneer, Singapore 636854

